



Model ESFR-34 Pendent Sprinkler

Protect ceiling heights up to 55 feet (16,8 m)



Features and benefits

- Ceiling height of 55 ft. (16,8 m)
- Storage arrangement of 50 ft. (15,2 m)
- Aisle widths of 6' (1,8 m)
- Element-to-ceiling distance of 17" (432 mm)
- FM approved

At-a-glance

The TYCO® Model ESFR-34 Pendent Sprinkler (TY9286) provides ceiling-only protection for warehouses and other storage applications. The ESFR-34 model sprinkler can help protect a storage arrangement of 50 ft. (15,2 m) with a ceiling height up to 55 ft. (16,8 m) and aisle widths as narrow as 6 ft (1,8 m). This sprinkler uses a fast response fusible link available in both 165°F (74°C) and 212°F (100°C) and is approved for a variety of stored material.

With a nominal K-Factor of 33.6, this suppression-mode sprinkler is especially advantageous as a means of eliminating the use of the in-rack sprinkler system when protecting high-pile storage. In addition, it can be installed with a maximum element-to-ceiling distance of 17 in. (432 mm).

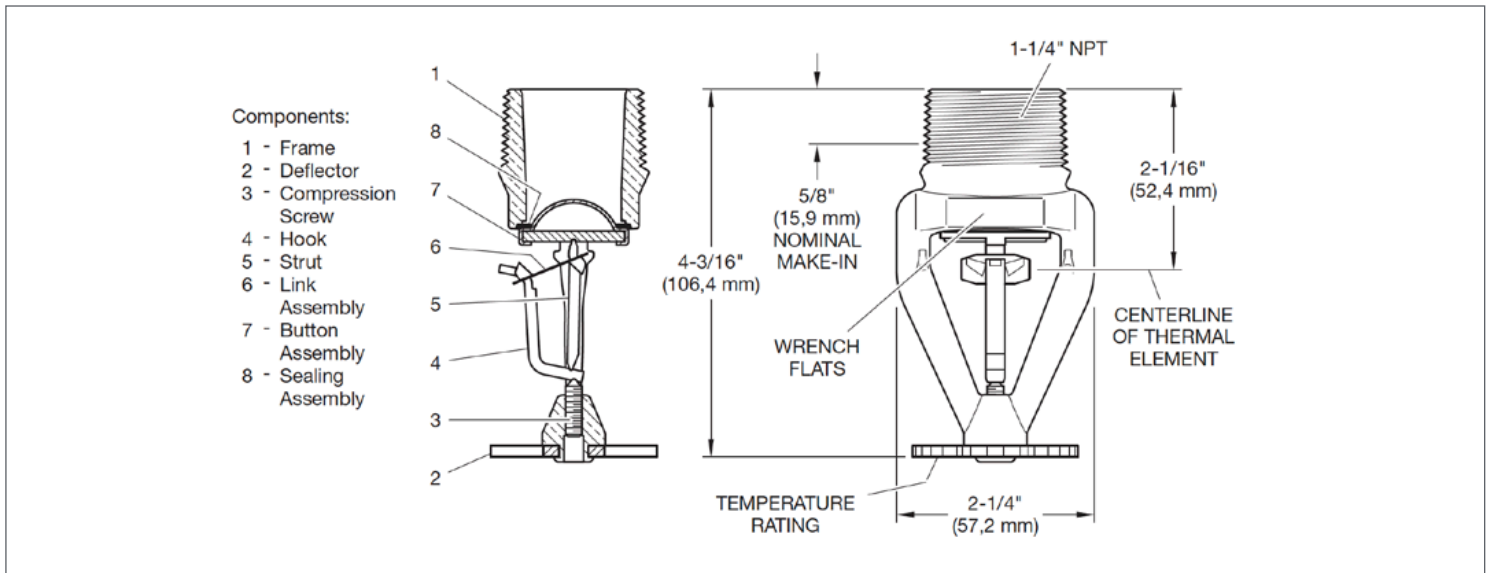
The ESFR-34 joins the TYCO® product range of Early Suppression, Fast Response sprinklers. For details on Model ESFR-34, please contact your local Sales representative.

Learn more at www.tyco-fire.com.

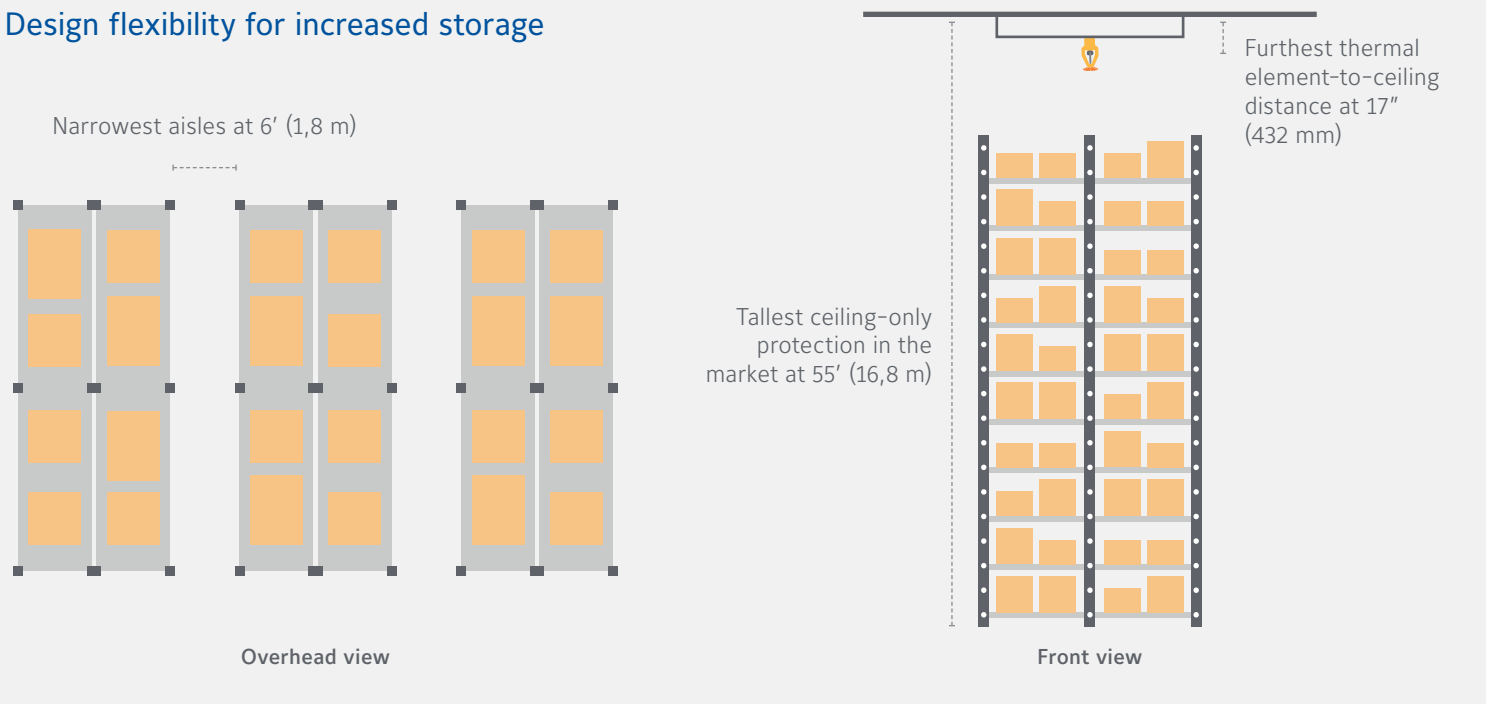


Model ESFR-34 Pendent Sprinkler

33.6 K-Factor, Early Suppression, Fast Response (TY9286)



Design flexibility for increased storage



Customer Service: Tel: 800.558.5236 • Fax: 800.877.1295
 Technical Service: Tel: 800.381.9312 • Fax: 800.791.5500

Always refer to the Technical Data Sheet (TFP338 for ESFR-34) for complete description of all Listing criteria, design parameters, installation instructions, care and maintenance guidelines.

www.tyco-fire.com

© 2020 Johnson Controls. All rights reserved. FS2004004-Letter APR 2020

The power behind **your mission**

